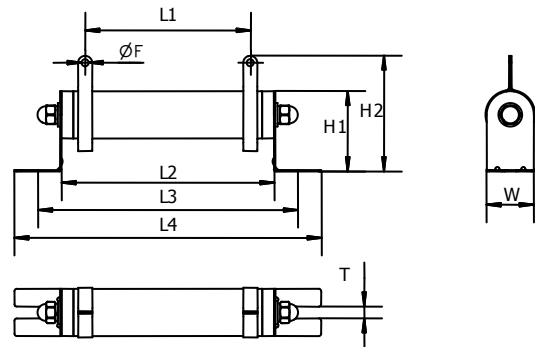


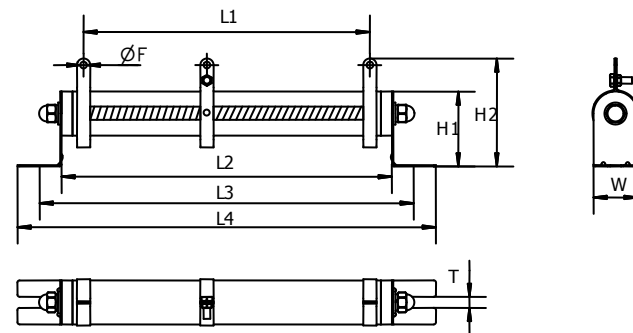
●特点 Features:

- 1、过负荷能力强,热稳定性好,使用寿命长 Good overload and heat-durability capacity,the use life is longer than the others.
- 2、表面涂漆为绿色不然性面漆 The resistors surface is coated in green.
- 3、使用环境温度 Operating ambient temperature:-55℃~+275℃
- 4、精度误差 Resistance tolerance: ±5%、±10%

固定型 Fixed Type:



可调型 Adjustable Type:

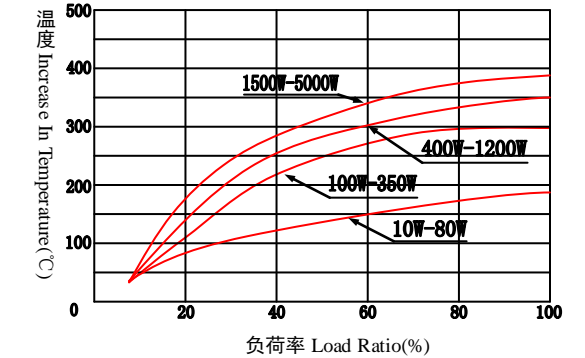
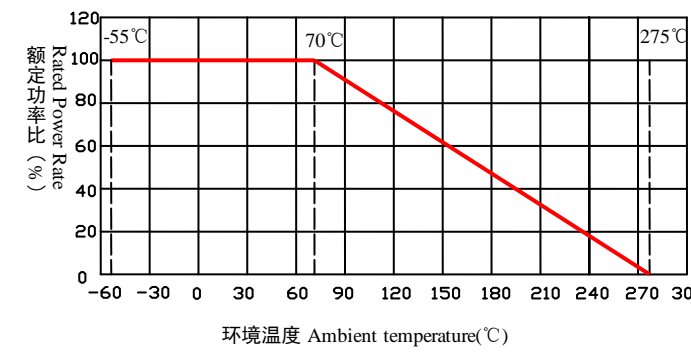


●规格尺寸 Specifications and Dimensions:

料号 Part No.	功率 Power	尺寸 Dimensions(mm)									阻值范围 Resistance range
		L1±1	L2±2	L3±2	L4±2	H1±1	H2±2	W±1	T±0.5	F±0.3	
HPR10B	10W	28	47	57	67	25	39	12	5.2	3.0	0R1~2K5
HPR20B	20W	39	60	80	100	34	51	20	5.2	3.0	0R1~10K
HPR25B	25W	39	60	80	100	34	51	20	5.2	3.0	0R1~10K
HPR30B	30W	59	80	100	120	34	51	20	5.2	3.0	0R1~16K
HPR40B	40W	76	97	117	137	34	51	20	5.2	3.0	0R1~20K
HPR50B	50W	78	102	122	142	43.5	65	28	6.2	4.5	0R1~28K
HPR60B	60W	88	112	132	152	43.5	65	28	6.2	4.5	0R1~32K
HPR80B	80W	98	122	142	162	43.5	65	28	6.2	4.5	0R1~40K
HPR100	100W	128	152	172	192	43.5	65	28	6.2	4.5	0R1~48K
HPR120	120W	148	172	192	212	43.5	65	28	6.2	4.5	0R1~56K
HPR150	150W	158	182	202	222	43.5	65	28	6.2	4.5	0R1~60K
HPR200	200W	228	252	272	292	43.5	65	28	6.2	4.5	0R1~88K
HPR250	250W	255	280	300	320	43.5	65	28	6.2	4.5	0R1~96K
HPR300	300W	245	275	306	337	60	85	40	6.2	6.0	0R1~134K
HPR350	350W	265	295	326	357	60	85	40	6.2	6.0	0R1~145K
HPR400	400W	315	345	376	407	60	85	40	6.2	6.0	0R1~173K

备注 Note: 具体规格尺寸可以根据客户的需求制作,同时也可以制作一管多个阻值,也可按客户要求取消固定支架。We can according to customer's requirement to customize the specification and dimension, also can produce multiple resistance values of one ceramic tube or cancel the fixed plank.

●额定功率递减图 Rated Power Derating Curve: ●表面温升 Surface Temperature Rise:



●性能测试 Performance Test:

测试项目 Test Item	测试条件 Test Condition	性能 Performance
温度系数 Temperature coefficient	在常温及常温+100℃时分别测量电阻值并计算每度的阻值变化率。Test the resistance value at normal temperature added 100℃,calculate per °C resistance value rate.	±350ppm/°C
短时间过负荷 Short time overload	施加 10 倍额定功率的电压 (√10PR) 或最高负荷电压 (取较小者) 5 秒。According 10 times rated power to account the voltage (√10PR) or max .overload voltage (get the lower)for 5 seconds.	ΔR≤± (2%R ₀ +0.05Ω)
耐焊接热 Resistance to soldering heat	在 350±10℃的锡炉中浸入 2~3 秒。Immerge into the 350±10℃ tin stove for 2~3 seconds.	ΔR≤± (1%R ₀ +0.05Ω)
可焊性 Solderability	在 260±5℃的锡炉中浸入 2~3 秒。Immerge into the 260±5℃ tin stove for 2~3 seconds.	焊锡面积覆盖 95%以上 The area of soldering is over 95%
温度循环 Temperature cycling	在-55℃时放置 30 分钟,然后再+25℃时放置 10~15 分钟,然后再在+275℃时放置 30 分钟,然后再在+25℃时放置 10~15 分钟,共循环 5 次。At -55℃ for 30 min,then at +25℃ for 10~15 min,then at +275℃ for 30 min,then at +25℃ for 10~15min, total 5 cycles.	ΔR≤± (1%R ₀ +0.05Ω)
耐湿负荷寿命 Load life in humidity	在温度为 40±2℃,相对湿度为 90~95%的恒温恒湿箱中,施加额定电压或最大工作电压 (取较小者) 共 1000 小时 (通 1.5 小时,断 0.5 小时)。Overload rated voltage or Max. working voltage(get the lower) for 1000 hours (1.5 hours on and half-hours off) at the 40±2℃ and 90~95% relative humidity.	ΔR≤± (5%R ₀ +0.05Ω)
耐高温负荷寿命 Load life in heat	在 70±2℃恒温恒湿箱中施加额定电压或最大工作电压 (取较小者) 1000 小时 (通 1.5 小时,断 0.5 小时)。Overload rated voltage or Max. working voltage(get the lower)m for 1000 hours (1.5 hours on and half-hours off) at the 70±2℃.	ΔR≤± (5%R ₀ +0.05Ω)
不燃性 Nonflammability	分别按 5、10、16 倍额定功率加交流负荷 5 分钟。Respectively load AC voltage by 5,10,16 times rated power for 5 min.	不可有明显火焰 No visible flame

●料号规则 Part No. Regulation:

HPR	50B	J	0	AP01	10R00
产品名称 Product Name	功率 Power	精度 Tol.	特殊码 Special Code	成型 Forming	阻值 Ohm
被漆功率瓷管式电阻器 Coated High Power Ceramic Tube Resistors	25B=25W 50B=50W 100=100W 400=400W	J= ±5% K= ±10%			0R100=0.1Ω 0R220=0.22Ω 10R00=10Ω 100R=100Ω 10K00=10KΩ